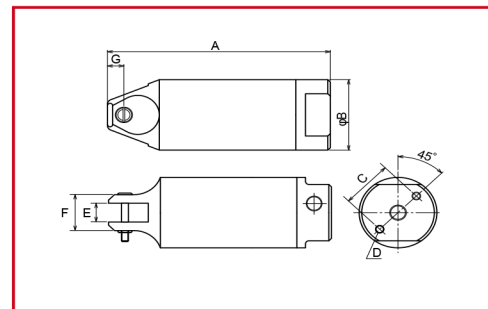


SERIE NR

Dettagli e disegni alla pagina: <http://www.vessel.co.jp/english/product/airnipper/>



| Capacità (mm) | | | | Modello | Dimensioni (mm) | | | | | | | Consumo aria (cm/str.) | Pressione (MPa) | Peso (g) | Attacco |
|----------------|---------------|------|---------|----------|-----------------|----|----|-------|------|----|------|------------------------|-----------------|----------|---------|
| Plastica molle | Plastica dura | Rame | Acciaio | | A | B | C | D | E | F | G | | | | |
| 2.0 | | 1.0 | 0.5 | GT-NR3 | 110 | 23 | 17 | M3x8 | 7 | 14 | 7 | 45 | 0.4~0.5 | 70 | Rc 1/8 |
| 2.0 | | 1.0 | 0.5 | GT-NR5 | 94 | 30 | 20 | M4x10 | 7 | 17 | 7 | 64 | 0.4~0.5 | 110 | |
| 3.0 | 2.0 | 1.6 | 1.0 | GT-NR7 | 113 | 34 | 22 | M4x10 | 9 | 17 | 7 | 116 | 0.4~0.5 | 150 | |
| 4.0 | 2.6 | 1.8 | 1.2 | GT-NR10L | 113 | 36 | 24 | M4x10 | 12 | 20 | 7 | 116 | 0.5~0.6 | 215 | |
| 7.0 | 5.0 | 2.6 | 2.0 | GT-NR20 | 129 | 45 | 30 | M5x12 | 12 | 23 | 9.5 | 230 | 0.5~0.6 | 280 | |
| 10.0 | 6.5 | 3.3 | 2.8 | GT-NR30 | 165 | 56 | 40 | M6x12 | 17 | 30 | 10.5 | 584 | 0.5~0.6 | 505 | Rc 1/4 |
| 12.0 | 6.5 | 5.5 | 4.5 | GT-NR50 | 222 | 75 | 50 | M8x12 | 25.2 | 43 | 15 | 1170 | 0.5~0.6 | 1190 | |